



# Wireless Infrastructure— Single & Dual Long Range Radio Appliance

## RL-WNA-7X

Product Brief

### OVERVIEW

The Rhino Labs network wireless infrastructure endpoint unit is ultra-high performance, low power embedded appliance based on Cavium Octeon III processor and its sub system. The unit sports a boot device, on board DDR3 memory, and GE for data and mini PCIe for long range WiFi.

The unit primary target use is for enterprise, network infrastructure equipment. The unit comes with fully supported board support package, and includes u-boot and Linux.

Rhino Health Monitor (RHM) is a unique onboard Health Monitoring tool providing continuous monitoring of CPU cores, board peripherals, and host processor via heartbeats, voltage, and temperature checkpoints



### KEY BENEFITS



#### Rhino's Health Management (RHM) Tool

Proprietary onboard circuitry and logic providing programmable board and CPU Health Monitoring and Failure Management to ensure optimal network operation and availability



#### Pocket-size Form Factor

Highest performance appliances with the most compatible form factor commercially available



#### Cavium OCTEON III 71xx Processor

The OCTEON III 71xx family of single to quad-core MIPS64 processors target SMB and entry-level Enterprise platforms. The processors provide unparalleled performance in the low power and low price categories



#### Integrated Wireless

Integrated long and short range wireless



#### Made in the U.S.A

Rhino products are designed and manufactured locally at our facility in the Silicon Valley, California



#### Low Power

Designed to provide optimal performance at low power. A **silent fan less** appliance.



# Wireless Infrastructure— Single & Dual Long Range Radio Appliance

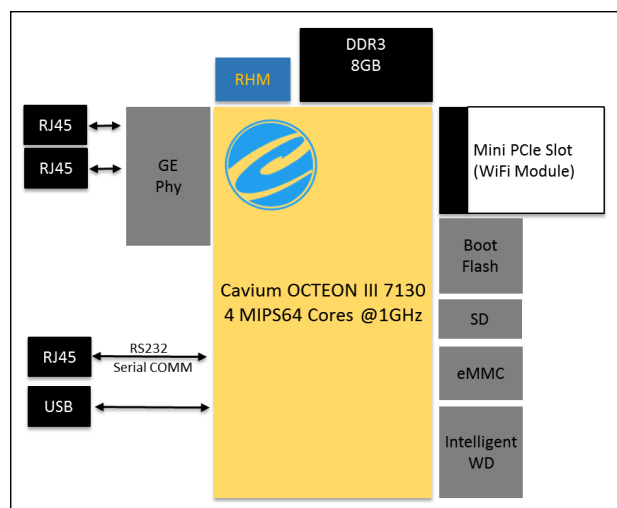
## RL-WNA-7X

Product Brief

### FEATURES

PROCESSOR	Cavium OCTEON III 7130 4 Cores @1GHz
MEMORY	8GB of DDR3
STORAGE	2x SATA connectors
INTERFACES	USB3.0 host & OTG, One RS232 via RJ-45, and 20-pin JTAG
SOFTWARE	U-Boot from Rhino Labs Linux SDK / OpenWRT
FORM FACTOR	5(W) x 1.5(D) x 1.22(H) Inches

### BLOCK DIAGRAM



### SOFTWARE

- Rhino U-boot
- Linux SDK

### Part Ordering

RL-WNA-7X

### ABOUT RHINO LABS

Rhino Labs Inc. is a leading provider of high-performance networking and data infrastructure solutions

Our products are used by a growing base of OEM customers for applications focused on Cybersecurity, Network Monitoring and Traffic Management

Our standard and customized products include Intelligent Bypass NICs, Smart NICs, and a variety of network, security, and storage appliances

We are a privately held company headquartered in Santa Clara, CA with local engineering and manufacturing facilities and high volume manufacturing facilities in Malaysia.